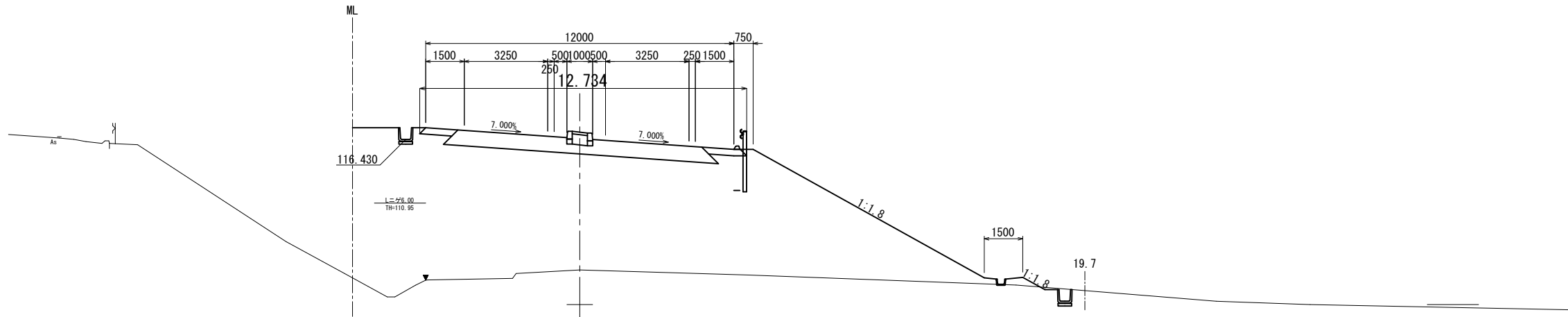


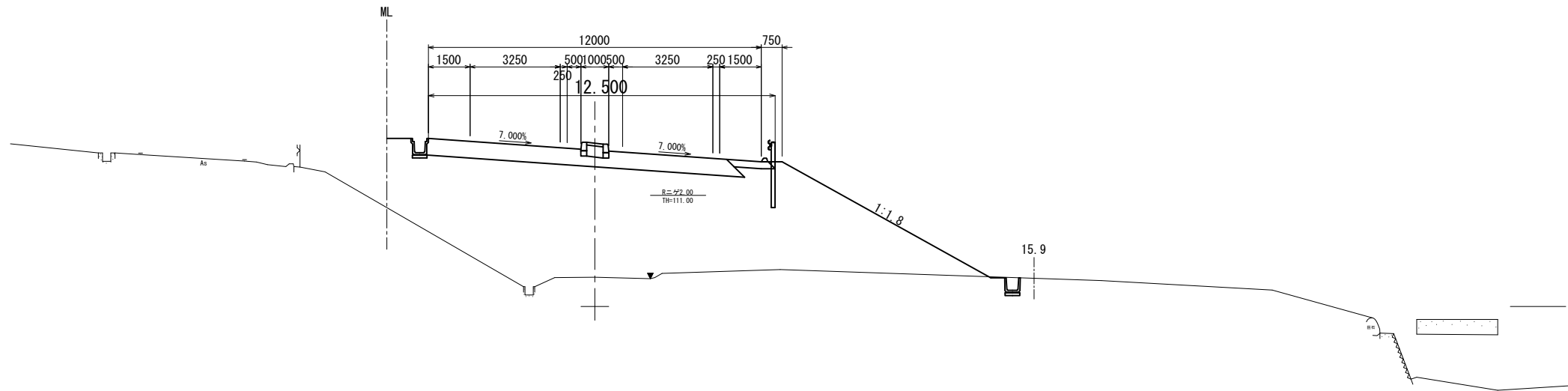
No. 4+10.000 (TD=90.000)

GH=111.35  
FH=116.460



No. 4 (TD=80.000)

GH=111.05  
FH=115.631



No. 3+10.000 (TD=70.000)

GH=111.37  
FH=114.899

